

PRESSURE VESSEL

EQUIPMENT & SYSTEMS



Keppel

**Offshore Technology
Development**

MAKING IT SIMPLE

PRESSURE VESSELS

OTD has proven track records for providing the expertise in customized Pressure Vessels. To date, more than 1,000 units of pressure vessels have been delivered and operating worldwide.

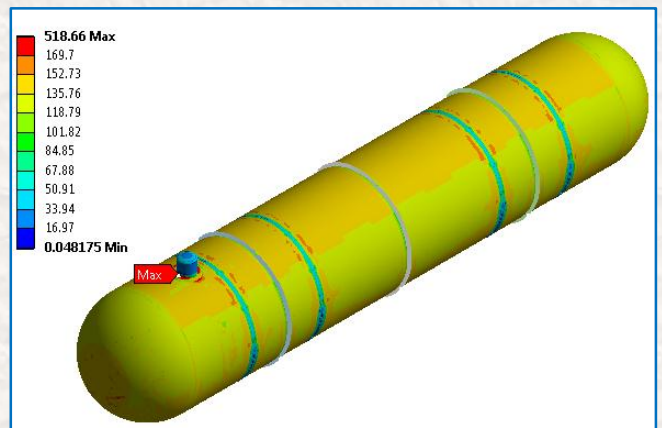
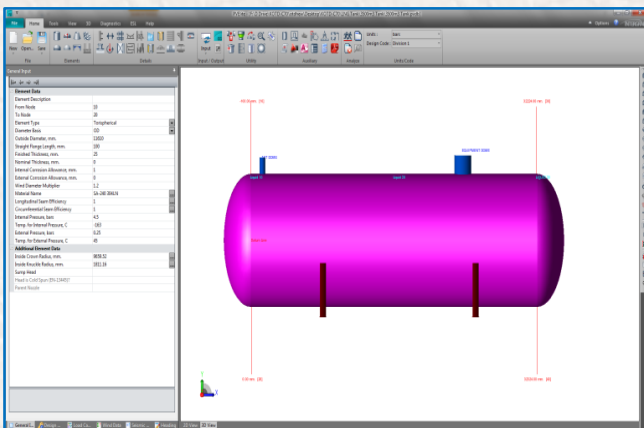
These pressure vessels are used in operations in harsh environments with design pressures ranging from 45 psi to 165 psi and operating temperatures from -10°C to 100°C . Tanks requiring even harsher operating conditions such as LNG Tanks with temperature of -163°C can also be custom designed to meet client's requirements.



PRESSURE VESSELS

Features

- ✓ Engineered to client's pressure, temperature and size requirements
- ✓ Designed and fabricated are in compliance to the latest edition of ASME Boiler and Pressure Vessel Code
- ✓ Pressure vessels are analyzed with the use of advanced pressure vessel and FE software to achieve optimum design and operational efficiency.
- ✓ Certified by multiple classification including the American Bureau of Shipping (ABS), Det Norske Veritas (DNV), Lloyd's Register, Bureau Veritas, Chinese Classification Society (CCS).
- ✓ ASME Certification of "S" and "U" stamp.



WEIGHING SYSTEM

The Bulk Tank Weighing System measures the cargo weight of the tanks . The load cells can be hydraulic (tension/compression) or electric (4-20mA). Tanks supports for the load cells can be designed to fit accordingly.

Features

- ✓ Electronic & Hydraulic Load monitoring system
- ✓ Monitor the cargo weight in the tank
- ✓ Capacity range from 2,000kg to 200,000kg
- ✓ Operating temperature range from 10° C to 50° C
- ✓ Compression Load Cell
- ✓ Tension Load Cell
- ✓ Dial Faceplate Indicators
- ✓ Digital Indicators
- ✓ Indicators calibrated in pounds, tons or kilograms



Keppel

**Offshore Technology
Development**



55 Gul Road, Singapore 629353

Tel: (65) 6863 7409

Fax: (65) 6862 3465

Enquiries: enquiry@keppelotd.com

Support: support.otd@keppelotd.com